

# PREVIEW

# KODEN

Chart Plotter

# GTD-120

## SAFETY-ACCURACY-RELIABILITY



### Features

- ▶ User-friendly Operation
- ▶ C-Map chart Ready
- ▶ 10.4 inch High brightness LCD
- ▶ Various marks and greater numbers of ship's track
- ▶ Bird view function
- ▶ AIS display (Option)
- ▶ SD Card capable, save user data such as marks, tracks and settings

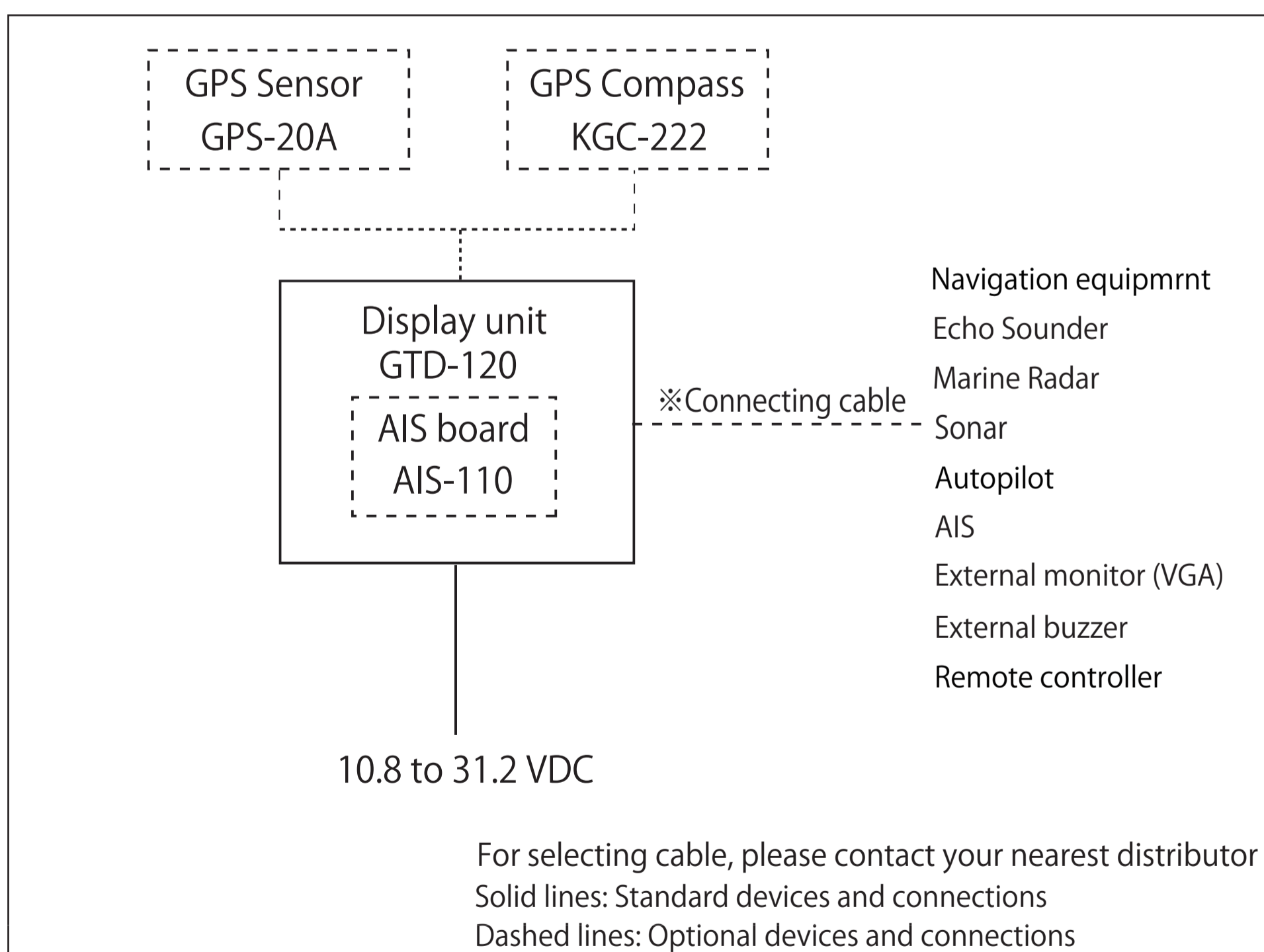
## SPECIFICATIONS

Display unit	GTD-120	
Display size and type	10.4 inch color TFT LCD	
Map mode	Mercator projection	
Presentation modes	North-up, East-up, South-up, West-up, Course-up (Waypoint), Head-up	
Display Resolution	480 × 640 (VGA)	
Zooming range	0.01 to 1,000 NM (or 0.02 to 2,000 km)	
Effective map creation area	Below the latitude 80 degree	
Plotting interval	Time	1, 2, 5, 10, 20, 30, 60, 120, 300, 600 sec
	Distance	0.01, 0.02, 0.05, 0.1, 0.2, 0.5, 1.0, 2.0, 5.0, 10.0 NM / km
Number of plots	2,000 / 4,000 / 5,000 / 7,000 / 10,000 / 20,000 points (Upper limit points can be selectable from 6types) + saved track 20,000 points × 10 blocks	
Track color	7 colors	
Position data display	Lat / Lon, Loran C LOP	
Navigation data display	Own ship's position, Own ship's course, Own ship's speed, Waypoint position, Waypoint bearing, Waypoint distance, POB position, POB bearing, POB distance, Cursor position, Cursor bearing, Cursor distance	
Position registration	15,000 points × 6 blocks + Marked line 15,000 points (All points can be registered as waypoint)	
Mark color	7 colors	
Mark shape		
Drawing	Nodes	500 points × 20 blocks
	Color	7 colors
Alarm	Arrival, POB, Cross track error, CPA / TCPA, Area, Drawing, Ship's speed, Depth limit, Grounding	
Positional correction	By cursor or by Lat / Lon or LOP data	
Magnetic compass correction	Auto / Manual	
Languages	English, Japanese, Korean, Spanish, Traditional Chinese	
Input data formats and sentences	NMEA0183 Ver.1.5 / 2.0 / 3.0 DBS, DBT, DPT, GGA, GLL, HDG, HDT, MSK, MTW, ZDA MWD, MWV, RMC, THS, TLL, TTM, VTG	
Output data formats and sentences	NMEA0183 Ver.2.0 GGA, GLL, GTD, HDT, VTG, ZDA, APB, BOD, BWC, RMB, RMC, WPL, XTE	
NMEA ports	Total 5: input / output 4, input (GPS) 1	
Data output cycle	1 sec	
Power supply	10.8 to 31.2 VDC	
Power consumption	25W or less (at 24 VDC)	

### Environmental

Temperature	-15°C to +55°C
Water protection	IPX5

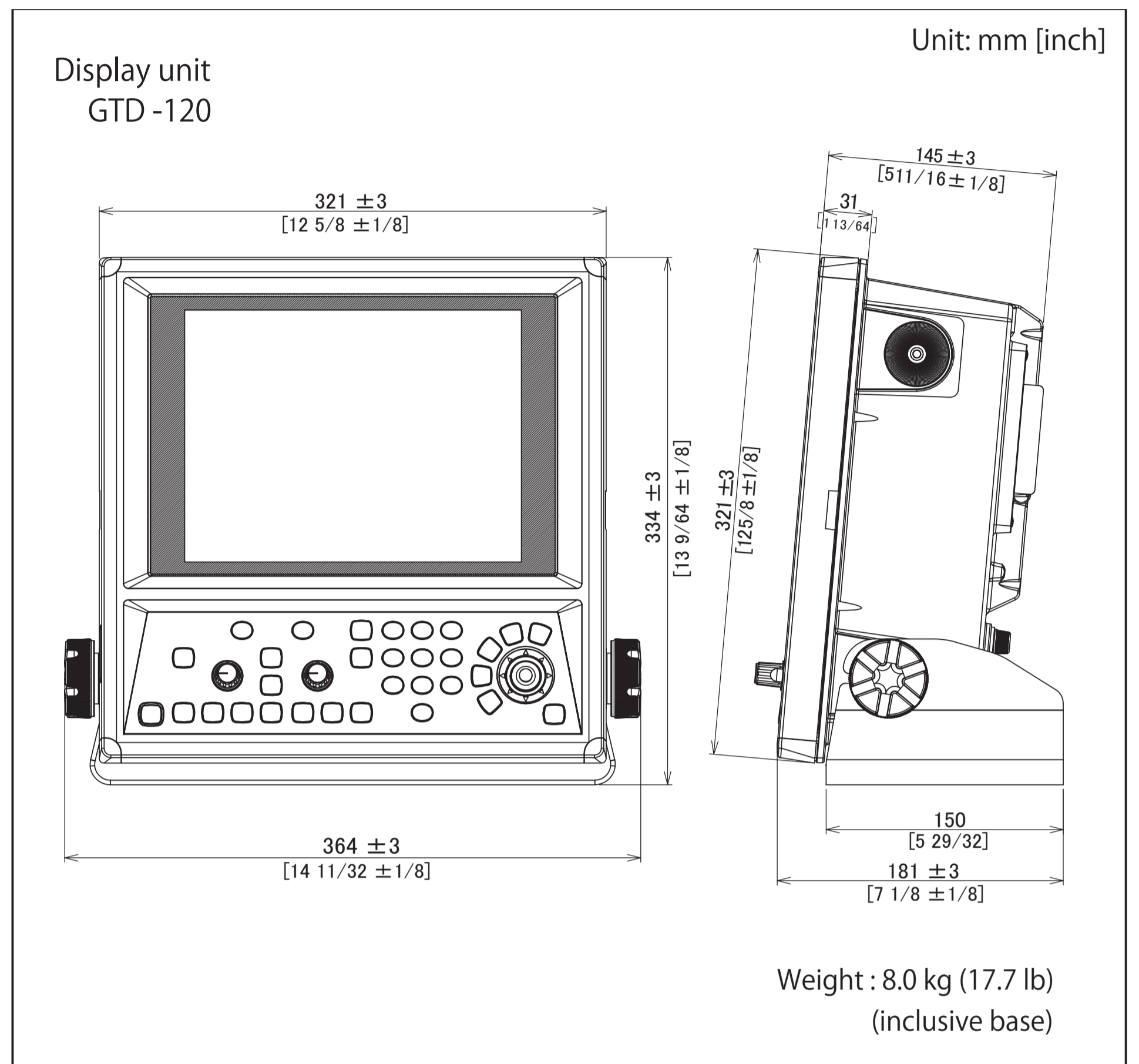
## CONNECTIONS



## EQUIPMENT LIST

Standard Equipment	Display unit	1
	DC power cable	1
	Spare parts	1
	Operation manual	1
	Quick Reference	1
Option	GPS Sensor, GPS Compass, GPS antenna support holder, AIS Interface, Various connection cables, Power Rectifier	

## DIMENSIONS AND WEIGHT



• Design and specifications are subject to change without notice.

**KODEN** Koden Electronics Co., Ltd.

Tamagawa Office:  
2-13-24 Tamagawa, Ota-ku, Tokyo, 146-0095 Japan  
Tel: +81-3-3756-6501 Fax: +81-3-3756-6509  
Uenohara Office:  
5278 Uenohara, Uenohara-shi, Yamanashi, 409-0112 Japan  
Tel: +81-554-20-5860 Fax: +81-554-20-5875

[overseas@koden-electronics.co.jp](mailto:overseas@koden-electronics.co.jp)

[www.koden-electronics.co.jp](http://www.koden-electronics.co.jp)



**Safety precaution**

To ensure proper and safe use of the equipment, please carefully read and follow the instructions in the Operation Manual.

For details, please contact